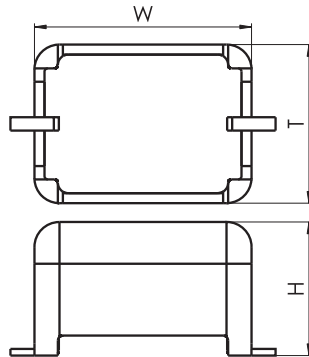




# C57

## 表面安装塑料外壳金属化聚酯膜电容器 Metallized polyester film surface mounted capacitor (Box-type)

### ■ 外形图 Outline Drawing



W±0.5, H±0.5, T±0.5

### ■ 特点

- 金属化聚酯膜, 无感卷绕结构, 塑料外壳 (UL94 V-0)
- 性能稳定, 具有良好的温度特性、频率特性、电压特性、时间稳定性和防潮特性
- 可靠性高, 自愈性好
- 无压电效应, 无极性, 无非线性失真
- 适用于回流焊、成本低

### ■ 主要用途:

- 用于开关电源、电子镇流器和变频器等中间电路直流滤波

### ■ 技术要求 Specifications

### ■ Features

- Metallized polyester film, non-inductive wound construction, Plastic case (UL94 V-0)
- Stability versus temperature, frequency, voltage, time and humidity
- Reliable quality due to self-healing effect
- No piezoelectric effect, non-polar construction, non-linearity distortion
- Reflow-soldering, low cost

### ■ Typical Applications:

- As intermediate circuit capacitors for SMPS, electronic ballast, inverter

引用标准 Reference Standard	GB/T 15448 (IEC 60384-19)		
气候类别 Climatic Category	40/105/56		
额定温度 Rated Temperature	85°C		
工作温度 Operating Temperature Range	-40°C ~105°C (+85°C to +105°C: decreasing factor 1.25% per °C for U <sub>R</sub> )		
额定电压 Rated Voltage	450V		
电容量范围 Capacitance Range	0.033μF ~ 0.68μF		
电容量偏差 Capacitance Tolerance	± 5%(J), ± 10%(K), ± 20%(M), -5%~+10%(6)		
耐电压 Voltage Proof	1.5U <sub>R</sub> (5s)		
损耗角正切 Dissipation Factor	≤ 0.8% (20°C, 1kHz)		
绝缘电阻 Insulation Resistance	R ≥ 10 000MΩ, C <sub>N</sub> ≤ 0.33μF RC <sub>N</sub> ≥ 6 000s, C <sub>N</sub> > 0.33μF (20°C, 100V, 1min)		
最大脉冲爬升速率 Maximum Pulse Rise Time(dV/dt) 若实际工作电压 U 比额定电压 U <sub>R</sub> 低, 电容器可工作在更高的 dV/dt 场合, 这样 dV/dt 允许值应为右表值乘以 U <sub>R</sub> /U。 If the working voltage(U) is lower than the rated voltage(U <sub>R</sub> ),the capacitor can be worked at a higher dV/dt. In this case, the maximum allowed dV/dt is obtain by multiplying the right value with U <sub>R</sub> /U.	U <sub>R</sub> (V)	dV/dt (V/μs)	
			W=13.0
	450	30	20
焊接工艺 Welding process	回流焊 (Reflow soldering recommended)		

## 产品编码说明 Part number system

■ 18位产品代码如下:

The 18 digits part number is formed as follow:

1	2	3	4	5	6	7	8	9	10	11	12	13	14	15	16	17	18
C	5	7															

第1~3位	型号代码	Digit 1 to 3	Series code
	C57		C57
第4~5位	直流额定电压	Digit 4 to 5	DC rated voltage
	2S=450V		2S=450V
第6~8位	标称容量	Digit 6 to 8	Rated capacitance value
	举例: 104=10 × 10 <sup>4</sup> pF=0.10 μF		For example : 104=10 × 10 <sup>4</sup> pF=0.10 μF
第9位	容量偏差	Digit 9	Capacitance tolerance
	J= ± 5%,K= ± 10%, M= ± 20%		J= ± 5%,K= ± 10%, M= ± 20%,
	6= -5%~+10%		6= -5%~+10%
第10位	包装代码	Digit 10	Packing code
	0=散装, 1=载带 ( 参见第18页 )		0=bulk,1=taping (refer to pag. 18)
第11位	内部特征码	Digit 11	Internal use
第12~15位	外形尺寸代码	Digit 12 to 15	Dimension code
第16~18位	内部特征码	Digit 16 to 18	Internal use



# C57

## ■ 外形尺寸 Dimensions ( mm )

450Vdc					
C <sub>N</sub> (μF) <sup>#</sup>	Size	W	H	T	Part number
0.033 <sup>#</sup>	5226	13.0 ± 0.5	10.0 ± 0.5	6.5 ± 0.5	C572S333-*05226+++
0.047 <sup>#</sup>	5226	13.0 ± 0.5	10.0 ± 0.5	6.5 ± 0.5	C572S473-*05226+++
0.068 <sup>#</sup>	5228	13.0 ± 0.5	10.5 ± 0.5	7.0 ± 0.5	C572S683-*05228+++
0.10	5235	13.0 ± 0.5	11.0 ± 0.5	8.5 ± 0.5	C572S104-*05235+++
0.15 <sup>#</sup>	7028	17.5 ± 0.5	11.0 ± 0.5	7.0 ± 0.5	C572S154-*07028+++
0.22 <sup>#</sup>	7032	17.5 ± 0.5	12.0 ± 0.5	8.0 ± 0.5	C572S224-*07032+++
0.33 <sup>#</sup>	7036	17.5 ± 0.5	13.0 ± 0.5	9.0 ± 0.5	C572S334-*07036+++
0.47	7040	17.5 ± 0.5	14.5 ± 0.5	10.0 ± 0.5	C572S474-*07040+++
0.68 <sup>#</sup>	7046	17.5 ± 0.5	16.0 ± 0.5	11.5 ± 0.5	C572S684-*07046+++

备注: 1. “-”表示容量偏差。 “-” =capacitance tolerance code, 6=-5~+10,M= ±20%,K= ±10%,J= ±5%.

2. “\*”表示包装代码。0表示散装,1表示编带(参见18页)。“\*” = packing code,0=bulk,1=taping (refer to pag. 18).

3 “#”表示该规格尺寸预估,其他电压、容量请咨询工程师。

“#” =The Size estimates, Other voltage and capacity please consult Engineer specific issues.