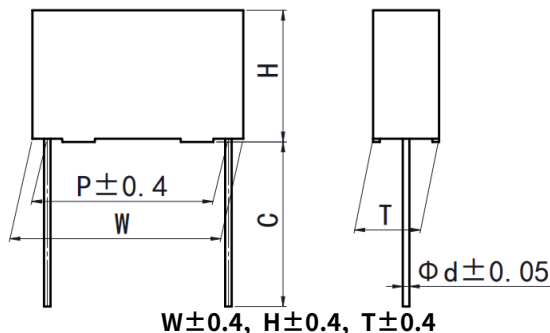


塑料外壳双面金属化聚丙烯膜电容器 Double sided metallized polypropylene film capacitor(Box-type)

外形图 Outline Drawing



特点

- 双面金属化聚丙烯膜
- 损耗小，内部温升小
- 负电容量温度系数
- 优异的阻燃性能

主要用途

- 高压高频脉冲电路中
- 电子照明(汽车头灯、镇流器)

Features

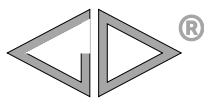
- Doublesided metallized polypropylene film
- Low loss and small inherent temperature rise
- Negative temperature coefficient of capacitance
- Excellent active and passive flame resistant abilities

Typical Applications

- Pulse applications with high. AC. voltage and HIGH current
- Electronic lighting(i.e. car headlamp and lighting ballast)

技术要求 Specifications

引用标准 Reference Standard	GB/T 14579 (IEC 60384-17)				
气候类别 Climatic Category	40/105/56				
额定温度 Rated Temperature	85°C				
工作温度 Operating Temperature Range	-40°C~105°C (+85°C to +105°C: decreasing factor 1.25% per °C for U _R)				
额定电压 Rated Voltage	250Vac(630Vdc), 300Vac(800Vdc), 400Vac(1000Vdc) 500Vac(1600Vdc), 700Vac(2000Vdc), 900Vac(2500Vdc)				
电容量范围 Capacitance Range	0.0010μF~0.12μF				
电容量偏差 Capacitance Tolerance	±2%(G), ±3%(H), ±3.5%(C), ±5%(J), ±10%(K), ±20%(M)				
耐电压 Voltage Proof	1.6U _R (5s)				
损耗角正切 Dissipation Factor	≤10×10 ⁻⁴ (20°C, 1kHz)				
绝缘电阻 Insulation Resistance	≥100 000MΩ (20°C, 100V, 1min)				
最大脉冲爬升速率 Maximum Pulse Rise Time(dV/dt):若实际工作电压 U 比额定电压 U _R 低, 电容器可工作在更高的 dV/dt 场合, 这样 dV/dt 允许值应为右表值乘以 U _R /U。 If the working voltage(U) is lower than the rated voltage(U _R),the capacitor can be worked at a higher dV/dt. In this case, the maximum allowed dV/dt is obtain by multiplying the right value with U _R /U.	U _R (V)	dV/dt(V/μs)			
		P=10.0	P=15.0	P=22.5	P=27.5
	250(630Vdc)	3000	1100	-	-
	300(800Vdc)	-	2500	1500	-
	400(1000Vdc)	-	3500	2100	-
	500(1600Vdc)	-	5000	3000	2000
	700(2000Vdc)	-	8000	5000	2200
900(2500Vdc)	-	-	7000	-	



C84

MMKP84 series

■ 产品编码说明 Part number system

■ 15 位产品代码如下:

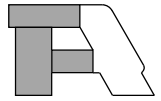
The 15 digits part number is formed as follow:

1	2	3	4	5	6	7	8	9	10	11	12	13	14	15
C	8	4												

第 1~3 位	型号代码	Digit 1 to 3	Series code
	C84= MMKP84		C84= MMKP84
第 4~5 位	交流额定电压	Digit 4 to 5	D.C. rated voltage
	E2=250V Q1=300V G2=400V		E2=250V Q1=300V G2=400V
	H2=500V V1=700V X1=900V		H2=500V V1=700V X1=900V
第 6~8 位	标称容量	Digit 6 to 8	Rated capacitance value
	举例: 103=10×10 ³ pF=0.01μF		for example: 103=10×10 ³ pF=0.01μF
第 9 位	容量偏差	Digit 9	Capacitance tolerance
	G=±2%, H=±3%, J=±5%		G=±2%, H=±3%, J=±5%
	K=±10%, M=±20%		K=±10%, M=±20%
第 10 位	引线脚距 P	Digit 10	Pitch
	4=10.0mm 6=15.0mm		4=10.0mm 6=15.0mm
	9=22.5mm B=27.5mm		9=22.5mm B=27.5mm
第 11 位	内部特征码	Digit 11	Internal use
第 12~15 位	引线加工和包装代码	Digit 12 to 15	Lead form and packaging code

■ Table 1 引线加工和包装代码 lead form and packaging code

第 12 位 Digit 12		第 13 位 Digit 13		第 14 位 Digit 14		第 15 位 Digit 15	
代码 Code	说明 explanation	代码 Code	说明 explanation	代码 Code	说明 explanation	代码 Code	说明 explanation
A	弹带包装 ammo-pack	4 6	F=10.0mm F=15.0mm	0	表示直脚 straight	5	P3=25.4mm; H=18.5mm (For pitch=10.0/15.0mm) (Detail parameter refer to page 16)
C	直脚 straight lead “C” in the figure above	代码 Code	说明 explanation			0	引线长度偏差±0.5mm 或标准长度 Length tolerance±0.5mm Or standard length
		00	标准的引线长度(18mm~26mm) standard lead length				
		45	引线长度 4.5mm lead length 4.5mm				



■ 外形尺寸 Dimensions(mm)

250Vac(630Vdc)						
C _N (μF)	W	H	T	P	d	Part number
0.010	13.0	9.0	4.0	10.0	0.6	C84E2103-40****
0.012	13.0	9.0	4.0	10.0	0.6	C84E2123-40****
0.015	13.0	11.0	5.0	10.0	0.6	C84E2153-40****
0.018	13.0	12.0	6.0	10.0	0.6	C84E2183-40****
0.022	13.0	12.0	6.0	10.0	0.6	C84E2223-40****
0.027	17.5	12.0	6.0	15.0	0.8	C84E2273-60****
0.033	17.5	12.0	6.0	15.0	0.8	C84E2333-60****
0.039	17.5	12.0	6.0	15.0	0.8	C84E2393-60****
0.047	17.5	13.5	7.5	15.0	0.8	C84E2473-60****
0.056	17.5	13.5	7.5	15.0	0.8	C84E2563-60****
0.068	17.5	14.5	8.5	15.0	0.8	C84E2683-60****
0.082	17.5	16.0	10.0	15.0	0.8	C84E2823-60****
0.10	17.5	16.0	10.0	15.0	0.8	C84E2104-60****

300Vac(800Vdc)						
C _N (μF)	W	H	T	P	d	Part number
0.010	17.5	11.0	5.0	15.0	0.8	C84Q1103-60****
0.012	17.5	11.0	5.0	15.0	0.8	C84Q1123-60****
0.015	17.5	11.0	5.0	15.0	0.8	C84Q1153-60****
0.018	17.5	11.0	5.0	15.0	0.8	C84Q1183-60****
0.022	17.5	12.0	6.0	15.0	0.8	C84Q1223-60****
0.027	17.5	12.0	6.0	15.0	0.8	C84Q1273-60****
0.033	17.5	13.5	7.5	15.0	0.8	C84Q1333-60****
0.039	17.5	13.5	7.5	15.0	0.8	C84Q1393-60****
0.047	17.5	14.5	8.5	15.0	0.8	C84Q1473-60****
0.056	17.5	16.0	10.0	15.0	0.8	C84Q1563-60****
0.068	17.5	16.0	10.0	15.0	0.8	C84Q1683-60****
0.056	26.5	15.0	6.0	22.5	0.8	C84Q1563-90****
0.068	26.5	16.0	7.0	22.5	0.8	C84Q1683-90****
0.082	26.5	17.0	8.5	22.5	0.8	C84Q1823-90****
0.10	26.5	17.0	8.5	22.5	0.8	C84Q1104-90****

400Vac(1000Vdc)						
C _N (μF)	W	H	T	P	d	Part number
0.0056	17.5	11.0	5.0	15.0	0.8	C84G2562-60****
0.0068	17.5	11.0	5.0	15.0	0.8	C84G2682-60****
0.0082	17.5	11.0	5.0	15.0	0.8	C84G2822-60****
0.010	17.5	12.0	6.0	15.0	0.8	C84G2103-60****
0.012	17.5	12.0	6.0	15.0	0.8	C84G2123-60****
0.015	17.5	13.5	7.5	15.0	0.8	C84G2153-60****
0.018	17.5	13.5	7.5	15.0	0.8	C84G2183-60****
0.022	17.5	14.5	8.5	15.0	0.8	C84G2223-60****
0.027	17.5	16.0	10.0	15.0	0.8	C84G2273-60****
0.033	17.5	16.0	10.0	15.0	0.8	C84G2333-60****
0.027	26.5	15.0	6.0	22.5	0.8	C84G2273-90****
0.033	26.5	16.0	7.0	22.5	0.8	C84G2333-90****
0.039	26.5	16.0	7.0	22.5	0.8	C84G2393-90****
0.047	26.5	17.0	8.5	22.5	0.8	C84G2473-90****
0.056	26.5	17.0	8.5	22.5	0.8	C84G2563-90****
0.068	26.5	18.5	10.0	22.5	0.8	C84G2683-90****
0.082	26.5	18.5	10.0	22.5	0.8	C84G2823-90****
0.10	26.5	22.0	12.0	22.5	0.8	C84G2104-90****

500Vac(1600Vdc)						
C _N (μF)	W	H	T	P	d	Part number
0.0010	17.5	11.0	5.0	15.0	0.8	C84H2102-60****
0.0012	17.5	11.0	5.0	15.0	0.8	C84H2122-60****
0.0015	17.5	11.0	5.0	15.0	0.8	C84H2152-60****
0.0018	17.5	11.0	5.0	15.0	0.8	C84H2182-60****
0.0022	17.5	11.0	5.0	15.0	0.8	C84H2222-60****
0.0027	17.5	11.0	5.0	15.0	0.8	C84H2272-60****
0.0033	17.5	11.0	5.0	15.0	0.8	C84H2332-60****
0.0039	17.5	11.0	5.0	15.0	0.8	C84H2392-60****
0.0047	17.5	11.0	5.0	15.0	0.8	C84H2472-60****
0.0056	17.5	11.0	5.0	15.0	0.8	C84H2562-60****
0.0068	17.5	12.0	6.0	15.0	0.8	C84H2682-60****
0.0082	17.5	12.0	6.0	15.0	0.8	C84H2822-60****
0.010	17.5	13.5	7.5	15.0	0.8	C84H2103-60****
0.012	17.5	13.5	7.5	15.0	0.8	C84H2123-60****
0.015	17.5	14.5	8.5	15.0	0.8	C84H2153-60****
0.018	17.5	16.0	10.0	15.0	0.8	C84H2183-60****
0.022	17.5	16.0	10.0	15.0	0.8	C84H2223-60****
0.018	26.5	15.0	6.0	22.5	0.8	C84H2183-90****
0.022	26.5	16.0	7.0	22.5	0.8	C84H2223-90****
0.027	26.5	16.0	7.0	22.5	0.8	C84H2273-90****
0.033	26.5	17.0	8.5	22.5	0.8	C84H2333-90****
0.039	26.5	18.5	10.0	22.5	0.8	C84H2393-90****
0.047	26.5	18.5	10.0	22.5	0.8	C84H2473-90****
0.056	26.5	22.0	12.0	22.5	0.8	C84H2563-90****
0.068	32.0	20.0	11.0	27.5	0.8	C84H2683-B0****
0.082	32.0	20.0	11.0	27.5	0.8	C84H2823-B0****
0.10	32.0	22.0	13.0	27.5	0.8	C84H2104-B0****

700Vac(2000Vdc)						
C _N (μF)	W	H	T	P	d	Part number
0.00051	17.5	11.0	5.0	15.0	0.8	C84V1511-60****
0.00068	17.5	11.0	5.0	15.0	0.8	C84V1681-60****
0.0010	17.5	11.0	5.0	15.0	0.8	C84V1102-60****
0.0012	17.5	11.0	5.0	15.0	0.8	C84V1122-60****
0.0015	17.5	11.0	5.0	15.0	0.8	C84V1152-60****
0.0018	17.5	11.0	5.0	15.0	0.8	C84V1182-60****
0.0022	17.5	11.0	5.0	15.0	0.8	C84V1222-60****
0.0027	17.5	12.0	6.0	15.0	0.8	C84V1272-60****
0.0033	17.5	12.0	6.0	15.0	0.8	C84V1332-60****
0.0039	17.5	13.5	7.5	15.0	0.8	C84V1392-60****
0.0047	17.5	13.5	7.5	15.0	0.8	C84V1472-60****
0.0056	17.5	14.5	8.5	15.0	0.8	C84V1562-60****
0.0068	17.5	14.5	8.5	15.0	0.8	C84V1682-60****
0.0082	17.5	16.0	10.0	15.0	0.8	C84V1822-60****
0.010	17.5	16.0	10.0	15.0	0.8	C84V1103-60****
0.0068	26.5	15.0	6.0	22.5	0.8	C84V1682-90****
0.0082	26.5	15.0	6.0	22.5	0.8	C84V1822-90****
0.010	26.5	15.0	6.0	22.5	0.8	C84V1103-90****
0.012	26.5	16.0	7.0	22.5	0.8	C84V1123-90****
0.015	26.5	17.0	8.5	22.5	0.8	C84V1153-90****
0.018	26.5	18.5	10.0	22.5	0.8	C84V1183-90****
0.022	26.5	18.5	10.0	22.5	0.8	C84V1223-90****
0.027	26.5	22.0	12.0	22.5	0.8	C84V1273-90****
0.033	26.5	22.0	12.0	22.5	0.8	C84V1333-90****
0.018	32.0	18.0	9.0	27.5	0.8	C84V1183-B0****
0.022	32.0	18.0	9.0	27.5	0.8	C84V1223-B0****
0.027	32.0	18.0	9.0	27.5	0.8	C84V1273-B0****
0.033	32.0	20.0	11.0	27.5	0.8	C84V1333-B0****
0.039	32.0	20.0	11.0	27.5	0.8	C84V1393-B0****
0.047	32.0	22.0	13.0	27.5	0.8	C84V1473-B0****
0.056	32.0	22.0	13.0	27.5	0.8	C84V1563-B0****
0.068	32.0	24.5	15.0	27.5	0.8	C84V1683-B0****
0.082	32.0	28.0	14.0	27.5	0.8	C84V1823-B0****
0.10	32.0	33.0	18.0	27.5	0.8	C84V1104-B0****
0.12	32.0	33.0	18.0	27.5	0.8	C84V1124-B0****

900Vac(2500Vdc)						
C _N (μF)	W	H	T	P	d	Part number
0.0010	26.5	15.0	6.0	22.5	0.8	C84X1102-90****
0.0012	26.5	15.0	6.0	22.5	0.8	C84X1122-90****
0.0015	26.5	15.0	6.0	22.5	0.8	C84X1152-90****
0.0018	26.5	15.0	6.0	22.5	0.8	C84X1182-90****
0.0022	26.5	15.0	6.0	22.5	0.8	C84X1222-90****
0.0027	26.5	15.0	6.0	22.5	0.8	C84X1272-90****
0.0033	26.5	15.0	6.0	22.5	0.8	C84X1332-90****
0.0039	26.5	15.0	6.0	22.5	0.8	C84X1392-90****
0.0047	26.5	15.0	6.0	22.5	0.8	C84X1472-90****
0.0056	26.5	15.0	6.0	22.5	0.8	C84X1562-90****
0.0068	26.5	16.0	7.0	22.5	0.8	C84X1682-90****
0.0082	26.5	16.0	7.0	22.5	0.8	C84X1822-90****
0.010	26.5	17.0	8.5	22.5	0.8	C84X1103-90****
0.012	26.5	18.5	10.0	22.5	0.8	C84X1123-90****
0.015	26.5	18.5	10.0	22.5	0.8	C84X1153-90****
0.018	26.5	22.0	12.0	22.5	0.8	C84X1183-90****
0.022	26.5	22.0	12.0	22.5	0.8	C84X1223-90****

备注 Note: 1. “-”表示容量偏差。 “-”=capacitance tolerance code. M=±20%, K=±10%, J=±5%, H=±3%, G=±2%。
 2. “****”表示引线加工和包装代码(见表1)。“****”=lead form and packing code (refer to table 1).