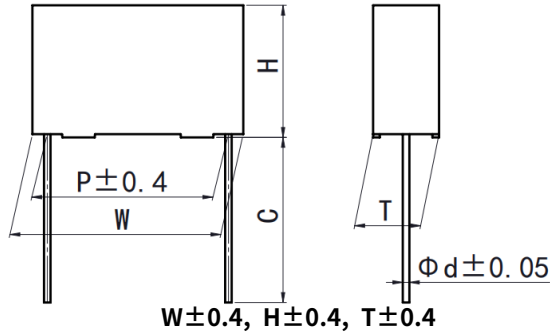


C33
MKP23 series

金属化聚丙烯膜电容器 Metallized polypropylene film capacitor (Box-type)

外形图 Outline Drawing



特点

- 高频损耗小
- 内部温升小，耐高温
- 塑料外壳 (UL94 V-0)，阻燃环氧填充

主要用途

- 高压、大电流的脉冲电路
- 电子照明 (如电子镇流器、E-HID)
- 高频交流负荷

Features

- Low loss at high frequency
- Small inherent temperature rise, high temperature range
- Plastic case (UL94 V-0), epoxy resin sealing

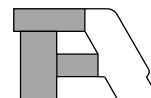
Typical Applications

- Pulse applications with high A.C. voltage and high current
- Electric lighting (i.e. electric ballast, E-HID)
- High-frequency A.C. loads

技术要求 Specifications

| | | | | | |
|---|---|-------------|--------|--------|--------|
| 引用标准 Reference Standard | GB/T 14579 (IEC 60384-17) | | | | |
| 气候类别 Climatic Category | 55/125/56 | | | | |
| 额定温度 Rated Temperature | 105°C | | | | |
| 工作温度 Operating Temperature Range | -55°C~125°C (+105°C to +125°C: decreasing factor 1.25% per °C for U _R) | | | | |
| 电容量范围 Capacitance Range | 0.00047μF~0.15μF | | | | |
| 电容量偏差 Capacitance Tolerance | ±3%(H), ±5%(J), ±10%(K) | | | | |
| 耐电压 Voltage Proof | 1.6U _R (5s) | | | | |
| 损耗角正切 Dissipation Factor | ≤10×10 ⁻⁴ (20°C, 1kHz) | | | | |
| 绝缘电阻 Insulation Resistance | ≥100 000MΩ (20°C, 100V, 1min) | | | | |
| 最大脉冲爬升速率 Maximum Pulse Rise Time(dV/dt):若实际工作电压 U 比额定电压 U _R 低, 电容器可工作在更高的 dV/dt 场合, 这样 dV/dt 允许值应为右表值乘以 U _R /U。 If the working voltage(U) is lower than the rated voltage(U _R),the capacitor can be worked at a higher dV/dt. In this case, the maximum allowed dV/dt is obtain by multiplying the right value with U _R /U. | U _R (V) | dV/dt(V/μs) | | | |
| | | P=7.5 | P=10.0 | P=15.0 | P=22.5 |
| | 400 | 3000 | 2200 | 2 000 | 800 |
| | 500 | 4000 | 3000 | 2500 | 1 200 |
| | 600 | 6500 | 6000 | 4500 | 1 800 |
| | 700 | - | 9 800 | 9500 | 4500 |
| 900 | - | - | 10000 | 6000 | |

| | | | | | | | | | |
|----------------|--------|-------|--------|-------|--------|-------|--------|-------|--------|
| U _R | 400Vac | | 500Vac | | 600Vac | | 700Vac | | 900Vac |
| P (mm) | 7.5 | >7.5 | 7.5 | >7.5 | ≤10.0 | >10.0 | 10.0 | >10.0 | - |
| Vdc(V) | 1 000 | 1 300 | 1 300 | 1 400 | 1 400 | 1 600 | 1 600 | 2 000 | 2 500 |



■ 产品编码说明 Part number system

■ 15 位产品代码如下：

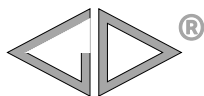
The 15 digits part number is formed as follow:

| | | | | | | | | | | | | | | |
|---|---|---|---|---|---|---|---|---|----|----|----|----|----|----|
| 1 | 2 | 3 | 4 | 5 | 6 | 7 | 8 | 9 | 10 | 11 | 12 | 13 | 14 | 15 |
| C | 3 | 3 | | | | | | | | | | | | |

| | | | |
|-----------|-------------------------------------|----------------|---|
| 第 1~3 位 | 型号代码 | Digit 1 to 3 | Series code |
| | C33= MKP23 | | C33= MKP23 |
| 第 4~5 位 | 交流额定电压 | Digit 4 to 5 | AC rated voltage |
| | G2=400V H2=500V U1=600V | | G2=400V H2=500V U1=600V |
| | V1=700V X1=900V | | V1=700V X1=900V |
| 第 6~8 位 | 标称容量 | Digit 6 to 8 | Rated capacitance value |
| | 举例:103=10×10 ³ pF=0.01μF | | for example: 103=10×10 ³ pF=0.01μF |
| 第 9 位 | 容量偏差 | Digit 9 | Capacitance tolerance |
| | H=±3%, J=±5%, K=±10% | | H=±3%, J=±5%, K=±10% |
| 第 10 位 | 引线脚距 P | Digit 10 | Pitch |
| | 3=7.5mm 4=10.0mm | | 3=7.5mm 4=10.0mm |
| | 6=15.0mm 9=22.5mm | | 6=15.0mm 9=22.5mm |
| 第 11 位 | 内部特征码 | Digit 11 | Internal use |
| 第 12~15 位 | 引线加工和包装代码 | Digit 12 to 15 | Lead form and packaging code |

■ Table 1 引线加工和包装代码 lead form and packaging code

| 第 12 位 Digit 12 | | 第 13 位 Digit 13 | | 第 14 位 Digit 14 | | 第 15 位 Digit 15 | |
|-----------------|---|-----------------|---|-----------------|------------------|-----------------|---|
| 代码 Code | 说明 explanation | 代码 Code | 说明 explanation | 代码 Code | 说明 explanation | 代码 Code | 说明 explanation |
| A | 弹带包装 ammo-pack | 3 | F=7.5mm | 0 | 表示直脚 straight | 1 | 产品在连续的两个载带孔之间 each cap.among two consecutive holes P3=12.7mm, H=18.5mm(For pitch=7.5mm) |
| | | 4 | F=10.0mm | | | 5 | P3=25.4mm; H=18.5mm (For pitch=10.0/15.0mm) (Detail parameter refer to page 16) |
| | | 6 | F=15.0mm | | | | |
| C | 直脚 straight lead “C” in the figure above | 代码 Code | 说明 explanation | 0 | | 0 | 引线长度偏差±0.5mm 或标准长度 Length tolerance±0.5mm Or standard length |
| | | 00 | 标准的引线长度(18mm~26 mm) standard lead length | | | | |
| | | 45 | 引线长度 4.5mm lead length 4.5mm | | | | |



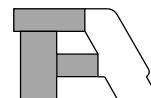
C33
MKP23 series

■ 外形尺寸 Dimensions(mm)

| 400Vac | | | | | | |
|------------------------|------|------|-----|------|-----|-----------------|
| C _N (μF) | W | H | T | P | d | Part number |
| 0.00082 | 10.5 | 9.0 | 4.0 | 7.5 | 0.6 | C33G2821-30**** |
| 0.0010 | 10.5 | 9.0 | 4.0 | 7.5 | 0.6 | C33G2102-30**** |
| 0.0012 | 10.5 | 9.0 | 4.0 | 7.5 | 0.6 | C33G2122-30**** |
| 0.0015 | 10.5 | 9.0 | 4.0 | 7.5 | 0.6 | C33G2152-30**** |
| 0.0018 | 10.5 | 9.0 | 4.0 | 7.5 | 0.6 | C33G2182-30**** |
| 0.0022 | 10.5 | 9.0 | 4.0 | 7.5 | 0.6 | C33G2222-30**** |
| 0.0027 | 10.5 | 9.0 | 4.0 | 7.5 | 0.6 | C33G2272-30**** |
| 0.0033 | 10.5 | 9.0 | 4.0 | 7.5 | 0.6 | C33G2332-30**** |
| 0.0036 | 10.5 | 9.0 | 4.0 | 7.5 | 0.6 | C33G2362-30**** |
| 0.0039 | 10.5 | 9.0 | 4.0 | 7.5 | 0.6 | C33G2392-30**** |
| 0.0047 | 10.5 | 9.0 | 4.0 | 7.5 | 0.6 | C33G2472-30**** |
| 0.0056 | 10.5 | 11.0 | 5.0 | 7.5 | 0.6 | C33G2562-30**** |
| 0.0068 | 10.5 | 11.0 | 5.0 | 7.5 | 0.6 | C33G2682-30**** |
| 0.0082 | 10.5 | 11.0 | 5.0 | 7.5 | 0.6 | C33G2822-30**** |
| 0.010 | 10.5 | 12.0 | 6.0 | 7.5 | 0.6 | C33G2103-30**** |
| 0.012 | 10.5 | 12.0 | 6.0 | 7.5 | 0.6 | C33G2123-30**** |
| 0.0010 | 13.0 | 9.0 | 4.0 | 10.0 | 0.6 | C33G2102-40**** |
| 0.0012 | 13.0 | 9.0 | 4.0 | 10.0 | 0.6 | C33G2122-40**** |
| 0.0015 | 13.0 | 9.0 | 4.0 | 10.0 | 0.6 | C33G2152-40**** |
| 0.0018 | 13.0 | 9.0 | 4.0 | 10.0 | 0.6 | C33G2182-40**** |
| 0.0022 | 13.0 | 9.0 | 4.0 | 10.0 | 0.6 | C33G2222-40**** |
| 0.0027 | 13.0 | 9.0 | 4.0 | 10.0 | 0.6 | C33G2272-40**** |
| 0.0033 | 13.0 | 9.0 | 4.0 | 10.0 | 0.6 | C33G2332-40**** |
| 0.0039 | 13.0 | 9.0 | 4.0 | 10.0 | 0.6 | C33G2392-40**** |
| 0.0047 | 13.0 | 11.0 | 5.0 | 10.0 | 0.6 | C33G2472-40**** |
| 0.0056 | 13.0 | 11.0 | 5.0 | 10.0 | 0.6 | C33G2562-40**** |
| 0.0068 | 13.0 | 11.0 | 5.0 | 10.0 | 0.6 | C33G2682-40**** |
| 0.0082 | 13.0 | 12.0 | 6.0 | 10.0 | 0.6 | C33G2822-40**** |
| 0.010 | 13.0 | 12.0 | 6.0 | 10.0 | 0.6 | C33G2103-40**** |

| 400Vac | | | | | | |
|------------------------|------|------|------|------|-----|-----------------|
| C _N (μF) | W | H | T | P | d | Part number |
| 0.0022 | 17.5 | 11.0 | 5.0 | 15.0 | 0.8 | C33G2222-60**** |
| 0.0027 | 17.5 | 11.0 | 5.0 | 15.0 | 0.8 | C33G2272-60**** |
| 0.0033 | 17.5 | 11.0 | 5.0 | 15.0 | 0.8 | C33G2332-60**** |
| 0.0039 | 17.5 | 11.0 | 5.0 | 15.0 | 0.8 | C33G2392-60**** |
| 0.0047 | 17.5 | 11.0 | 5.0 | 15.0 | 0.8 | C33G2472-60**** |
| 0.0056 | 17.5 | 11.0 | 5.0 | 15.0 | 0.8 | C33G2562-60**** |
| 0.0068 | 17.5 | 11.0 | 5.0 | 15.0 | 0.8 | C33G2682-60**** |
| 0.0082 | 17.5 | 11.0 | 5.0 | 15.0 | 0.8 | C33G2822-60**** |
| 0.010 | 17.5 | 11.0 | 5.0 | 15.0 | 0.8 | C33G2103-60**** |
| 0.012 | 17.5 | 11.0 | 5.0 | 15.0 | 0.8 | C33G2123-60**** |
| 0.015 | 17.5 | 12.0 | 6.0 | 15.0 | 0.8 | C33G2153-60**** |
| 0.018 | 17.5 | 12.0 | 6.0 | 15.0 | 0.8 | C33G2183-60**** |
| 0.022 | 17.5 | 13.5 | 7.5 | 15.0 | 0.8 | C33G2223-60**** |
| 0.027 | 17.5 | 13.5 | 7.5 | 15.0 | 0.8 | C33G2273-60**** |
| 0.033 | 17.5 | 14.5 | 8.5 | 15.0 | 0.8 | C33G2333-60**** |
| 0.039 | 17.5 | 16.0 | 10.0 | 15.0 | 0.8 | C33G2393-60**** |
| 0.047 | 17.5 | 16.0 | 10.0 | 15.0 | 0.8 | C33G2473-60**** |
| 0.056 | 17.5 | 19.0 | 11.0 | 15.0 | 0.8 | C33G2563-60**** |
| 0.068 | 17.5 | 19.0 | 11.0 | 15.0 | 0.8 | C33G2683-60**** |
| 0.018 | 26.5 | 15.0 | 6.0 | 22.5 | 0.8 | C33G2183-90**** |
| 0.022 | 26.5 | 15.0 | 6.0 | 22.5 | 0.8 | C33G2223-90**** |
| 0.027 | 26.5 | 15.0 | 6.0 | 22.5 | 0.8 | C33G2273-90**** |
| 0.033 | 26.5 | 15.0 | 6.0 | 22.5 | 0.8 | C33G2333-90**** |
| 0.039 | 26.5 | 15.0 | 6.0 | 22.5 | 0.8 | C33G2393-90**** |
| 0.047 | 26.5 | 16.0 | 7.0 | 22.5 | 0.8 | C33G2473-90**** |
| 0.056 | 26.5 | 16.0 | 7.0 | 22.5 | 0.8 | C33G2563-90**** |
| 0.068 | 26.5 | 17.0 | 8.5 | 22.5 | 0.8 | C33G2683-90**** |
| 0.082 | 26.5 | 17.0 | 8.5 | 22.5 | 0.8 | C33G2823-90**** |
| 0.10 | 26.5 | 18.5 | 10.0 | 22.5 | 0.8 | C33G2104-90**** |
| 0.12 | 26.5 | 22.0 | 12.0 | 22.5 | 0.8 | C33G2124-90**** |
| 0.15 | 26.5 | 22.0 | 12.0 | 22.5 | 0.8 | C33G2154-90**** |

备注 Note: 1. “-” 表示容量偏差。 “-” =capacitance tolerance code. M=±20%, K=±10%, J=±5%, H=±3%。
2. “****” 表示引线加工和包装代码(见表1)。“****” =lead form and packing code (refer to table 1).

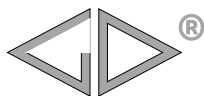


■ 外形尺寸 Dimensions(mm)

| 500Vac | | | | | | |
|------------------------|------|------|-----|------|-----|-----------------|
| C _N (μF) | W | H | T | P | d | Part number |
| 0.00056 | 10.5 | 9.0 | 4.0 | 7.5 | 0.6 | C33H2561-3S**** |
| 0.00062 | 10.5 | 9.0 | 4.0 | 7.5 | 0.6 | C33H2621-3S**** |
| 0.00068 | 10.5 | 9.0 | 4.0 | 7.5 | 0.6 | C33H2681-3S**** |
| 0.00082 | 10.5 | 9.0 | 4.0 | 7.5 | 0.6 | C33H2821-3S**** |
| 0.0010 | 10.5 | 9.0 | 4.0 | 7.5 | 0.6 | C33H2102-3S**** |
| 0.0012 | 10.5 | 9.0 | 4.0 | 7.5 | 0.6 | C33H2122-3S**** |
| 0.0015 | 10.5 | 9.0 | 4.0 | 7.5 | 0.6 | C33H2152-3S**** |
| 0.0018 | 10.5 | 9.0 | 4.0 | 7.5 | 0.6 | C33H2182-3S**** |
| 0.0022 | 10.5 | 11.0 | 5.0 | 7.5 | 0.6 | C33H2222-3S**** |
| 0.0027 | 10.5 | 11.0 | 5.0 | 7.5 | 0.6 | C33H2272-3S**** |
| 0.0033 | 10.5 | 11.0 | 5.0 | 7.5 | 0.6 | C33H2332-3S**** |
| 0.0036 | 10.5 | 12.0 | 6.0 | 7.5 | 0.6 | C33H2362-3S**** |
| 0.0039 | 10.5 | 12.0 | 6.0 | 7.5 | 0.6 | C33H2392-3S**** |
| 0.0047 | 10.5 | 12.0 | 6.0 | 7.5 | 0.6 | C33H2472-3S**** |
| 0.0056 | 10.5 | 12.0 | 6.0 | 7.5 | 0.6 | C33H2562-3S**** |
| 0.0010 | 13.0 | 9.0 | 4.0 | 10.0 | 0.6 | C33H2102-4S**** |
| 0.0012 | 13.0 | 9.0 | 4.0 | 10.0 | 0.6 | C33H2122-4S**** |
| 0.0015 | 13.0 | 9.0 | 4.0 | 10.0 | 0.6 | C33H2152-4S**** |
| 0.0018 | 13.0 | 9.0 | 4.0 | 10.0 | 0.6 | C33H2182-4S**** |
| 0.0022 | 13.0 | 9.0 | 4.0 | 10.0 | 0.6 | C33H2222-4S**** |
| 0.0027 | 13.0 | 9.0 | 4.0 | 10.0 | 0.6 | C33H2272-4S**** |
| 0.0030 | 13.0 | 9.0 | 4.0 | 10.0 | 0.6 | C33H2302-4S**** |
| 0.0033 | 13.0 | 9.0 | 4.0 | 10.0 | 0.6 | C33H2332-4S**** |
| 0.0039 | 13.0 | 11.0 | 5.0 | 10.0 | 0.6 | C33H2392-4S**** |
| 0.0047 | 13.0 | 11.0 | 5.0 | 10.0 | 0.6 | C33H2472-4S**** |
| 0.0056 | 13.0 | 11.0 | 5.0 | 10.0 | 0.6 | C33H2562-4S**** |
| 0.0068 | 13.0 | 12.0 | 6.0 | 10.0 | 0.6 | C33H2682-4S**** |
| 0.0082 | 13.0 | 12.0 | 6.0 | 10.0 | 0.6 | C33H2822-4S**** |
| 0.010 | 13.0 | 13.0 | 7.0 | 10.0 | 0.6 | C33H2103-4S**** |
| 0.012 | 13.0 | 14.0 | 8.0 | 10.0 | 0.6 | C33H2123-4S**** |

| 500Vac | | | | | | |
|------------------------|------|------|------|------|-----|-----------------|
| C _N (μF) | W | H | T | P | d | Part number |
| 0.0033 | 17.5 | 11.0 | 5.0 | 15.0 | 0.8 | C33H2332-6S**** |
| 0.0036 | 17.5 | 11.0 | 5.0 | 15.0 | 0.8 | C33H2362-6S**** |
| 0.0039 | 17.5 | 11.0 | 5.0 | 15.0 | 0.8 | C33H2392-6S**** |
| 0.0047 | 17.5 | 11.0 | 5.0 | 15.0 | 0.8 | C33H2472-6S**** |
| 0.0056 | 17.5 | 11.0 | 5.0 | 15.0 | 0.8 | C33H2562-6S**** |
| 0.0068 | 17.5 | 11.0 | 5.0 | 15.0 | 0.8 | C33H2682-6S**** |
| 0.0082 | 17.5 | 11.0 | 5.0 | 15.0 | 0.8 | C33H2822-6S**** |
| 0.010 | 17.5 | 11.0 | 5.0 | 15.0 | 0.8 | C33H2103-6S**** |
| 0.012 | 17.5 | 12.0 | 6.0 | 15.0 | 0.8 | C33H2123-6S**** |
| 0.015 | 17.5 | 12.0 | 6.0 | 15.0 | 0.8 | C33H2153-6S**** |
| 0.018 | 17.5 | 13.5 | 7.5 | 15.0 | 0.8 | C33H2183-6S**** |
| 0.022 | 17.5 | 13.5 | 7.5 | 15.0 | 0.8 | C33H2223-6S**** |
| 0.027 | 17.5 | 13.5 | 7.5 | 15.0 | 0.8 | C33H2273-6S**** |
| 0.030 | 17.5 | 14.5 | 8.5 | 15.0 | 0.8 | C33H2303-6S**** |
| 0.033 | 17.5 | 16.0 | 10.0 | 15.0 | 0.8 | C33H2333-6S**** |
| 0.036 | 17.5 | 16.0 | 10.0 | 15.0 | 0.8 | C33H2363-6S**** |
| 0.039 | 17.5 | 16.0 | 10.0 | 15.0 | 0.8 | C33H2393-6S**** |
| 0.047 | 17.5 | 19.0 | 11.0 | 15.0 | 0.8 | C33H2473-6S**** |
| 0.056 | 17.5 | 19.0 | 11.0 | 15.0 | 0.8 | C33H2563-6S**** |
| 0.010 | 26.5 | 15.0 | 6.0 | 22.5 | 0.8 | C33H2103-9S**** |
| 0.012 | 26.5 | 15.0 | 6.0 | 22.5 | 0.8 | C33H2123-9S**** |
| 0.015 | 26.5 | 15.0 | 6.0 | 22.5 | 0.8 | C33H2153-9S**** |
| 0.018 | 26.5 | 15.0 | 6.0 | 22.5 | 0.8 | C33H2183-9S**** |
| 0.022 | 26.5 | 15.0 | 6.0 | 22.5 | 0.8 | C33H2223-9S**** |
| 0.027 | 26.5 | 15.0 | 6.0 | 22.5 | 0.8 | C33H2273-9S**** |
| 0.033 | 26.5 | 16.0 | 7.0 | 22.5 | 0.8 | C33H2333-9S**** |
| 0.036 | 26.5 | 16.0 | 7.0 | 22.5 | 0.8 | C33H2363-9S**** |
| 0.039 | 26.5 | 16.0 | 7.0 | 22.5 | 0.8 | C33H2393-9S**** |
| 0.047 | 26.5 | 17.0 | 8.5 | 22.5 | 0.8 | C33H2473-9S**** |
| 0.056 | 26.5 | 17.0 | 8.5 | 22.5 | 0.8 | C33H2563-9S**** |
| 0.068 | 26.5 | 18.5 | 10.0 | 22.5 | 0.8 | C33H2683-9S**** |
| 0.082 | 26.5 | 18.5 | 10.0 | 22.5 | 0.8 | C33H2823-9S**** |
| 0.10 | 26.5 | 22.0 | 12.0 | 22.5 | 0.8 | C33H2104-9S**** |
| 0.12 | 26.5 | 22.0 | 12.0 | 22.5 | 0.8 | C33H2124-9S**** |

备注 Note: 1. “-” 表示容量偏差。 “-” =capacitance tolerance code. M=±20%, K=±10%, J=±5%, H=±3%。
2. “****” 表示引线加工和包装代码(见表1)。“****” =lead form and packing code (refer to table 1).

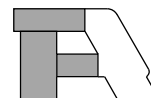


■ 外形尺寸 Dimensions(mm)

| 600Vac | | | | | | |
|------------------------|------|------|-----|------|-----|-----------------|
| C _N (μF) | W | H | T | P | d | Part number |
| 0.00047 | 10.5 | 9.0 | 4.0 | 7.5 | 0.6 | C33U1471-30**** |
| 0.00056 | 10.5 | 9.0 | 4.0 | 7.5 | 0.6 | C33U1561-30**** |
| 0.00062 | 10.5 | 9.0 | 4.0 | 7.5 | 0.6 | C33U1621-30**** |
| 0.00068 | 10.5 | 9.0 | 4.0 | 7.5 | 0.6 | C33U1681-30**** |
| 0.00082 | 10.5 | 9.0 | 4.0 | 7.5 | 0.6 | C33U1821-30**** |
| 0.0010 | 10.5 | 9.0 | 4.0 | 7.5 | 0.6 | C33U1102-30**** |
| 0.0012 | 10.5 | 9.0 | 4.0 | 7.5 | 0.6 | C33U1122-30**** |
| 0.0015 | 10.5 | 9.0 | 4.0 | 7.5 | 0.6 | C33U1152-30**** |
| 0.0018 | 10.5 | 11.0 | 5.0 | 7.5 | 0.6 | C33U1182-30**** |
| 0.0022 | 10.5 | 11.0 | 5.0 | 7.5 | 0.6 | C33U1222-30**** |
| 0.0027 | 10.5 | 11.0 | 5.0 | 7.5 | 0.6 | C33U1272-30**** |
| 0.0033 | 10.5 | 12.0 | 6.0 | 7.5 | 0.6 | C33U1332-30**** |
| 0.0036 | 10.5 | 12.0 | 6.0 | 7.5 | 0.6 | C33U1362-30**** |
| 0.0039 | 10.5 | 12.0 | 6.0 | 7.5 | 0.6 | C33U1392-30**** |
| 0.0047 | 10.5 | 12.0 | 6.0 | 7.5 | 0.6 | C33U1472-30**** |
| 0.00056 | 13.0 | 9.0 | 4.0 | 10.0 | 0.6 | C33U1561-40**** |
| 0.00062 | 13.0 | 9.0 | 4.0 | 10.0 | 0.6 | C33U1621-40**** |
| 0.00068 | 13.0 | 9.0 | 4.0 | 10.0 | 0.6 | C33U1681-40**** |
| 0.00082 | 13.0 | 9.0 | 4.0 | 10.0 | 0.6 | C33U1821-40**** |
| 0.0010 | 13.0 | 9.0 | 4.0 | 10.0 | 0.6 | C33U1102-40**** |
| 0.0011 | 13.0 | 9.0 | 4.0 | 10.0 | 0.6 | C33U1112-40**** |
| 0.0012 | 13.0 | 9.0 | 4.0 | 10.0 | 0.6 | C33U1122-40**** |
| 0.0013 | 13.0 | 9.0 | 4.0 | 10.0 | 0.6 | C33U1132-40**** |
| 0.0015 | 13.0 | 9.0 | 4.0 | 10.0 | 0.6 | C33U1152-40**** |
| 0.0017 | 13.0 | 9.0 | 4.0 | 10.0 | 0.6 | C33U1172-40**** |
| 0.0018 | 13.0 | 9.0 | 4.0 | 10.0 | 0.6 | C33U1182-40**** |
| 0.0020 | 13.0 | 9.0 | 4.0 | 10.0 | 0.6 | C33U1202-40**** |
| 0.0022 | 13.0 | 9.0 | 4.0 | 10.0 | 0.6 | C33U1222-40**** |
| 0.0027 | 13.0 | 9.0 | 4.0 | 10.0 | 0.6 | C33U1272-40**** |
| 0.0030 | 13.0 | 9.0 | 4.0 | 10.0 | 0.6 | C33U1302-40**** |
| 0.0033 | 13.0 | 9.0 | 4.0 | 10.0 | 0.6 | C33U1332-40**** |
| 0.0036 | 13.0 | 11.0 | 5.0 | 10.0 | 0.6 | C33U1362-40**** |
| 0.0039 | 13.0 | 11.0 | 5.0 | 10.0 | 0.6 | C33U1392-40**** |
| 0.0047 | 13.0 | 11.0 | 5.0 | 10.0 | 0.6 | C33U1472-40**** |
| 0.0056 | 13.0 | 11.0 | 5.0 | 10.0 | 0.6 | C33U1562-40**** |
| 0.0068 | 13.0 | 12.0 | 6.0 | 10.0 | 0.6 | C33U1682-40**** |

| 600Vac | | | | | | |
|------------------------|------|------|------|------|-----|-----------------|
| C _N (μF) | W | H | T | P | d | Part number |
| 0.0082 | 13.0 | 12.0 | 6.0 | 10.0 | 0.6 | C33U1822-40**** |
| 0.010 | 13.0 | 13.0 | 7.0 | 10.0 | 0.6 | C33U1103-40**** |
| 0.012 | 13.0 | 14.0 | 8.0 | 10.0 | 0.6 | C33U1123-40**** |
| 0.0010 | 17.5 | 11.0 | 5.0 | 15.0 | 0.8 | C33U1102-60**** |
| 0.0012 | 17.5 | 11.0 | 5.0 | 15.0 | 0.8 | C33U1122-60**** |
| 0.0015 | 17.5 | 11.0 | 5.0 | 15.0 | 0.8 | C33U1152-60**** |
| 0.0018 | 17.5 | 11.0 | 5.0 | 15.0 | 0.8 | C33U1182-60**** |
| 0.0022 | 17.5 | 11.0 | 5.0 | 15.0 | 0.8 | C33U1222-60**** |
| 0.0027 | 17.5 | 11.0 | 5.0 | 15.0 | 0.8 | C33U1272-60**** |
| 0.0033 | 17.5 | 11.0 | 5.0 | 15.0 | 0.8 | C33U1332-60**** |
| 0.0039 | 17.5 | 11.0 | 5.0 | 15.0 | 0.8 | C33U1392-60**** |
| 0.0047 | 17.5 | 11.0 | 5.0 | 15.0 | 0.8 | C33U1472-60**** |
| 0.0056 | 17.5 | 11.0 | 5.0 | 15.0 | 0.8 | C33U1562-60**** |
| 0.0068 | 17.5 | 11.0 | 5.0 | 15.0 | 0.8 | C33U1682-60**** |
| 0.0082 | 17.5 | 12.0 | 6.0 | 15.0 | 0.8 | C33U1822-60**** |
| 0.010 | 17.5 | 12.0 | 6.0 | 15.0 | 0.8 | C33U1103-60**** |
| 0.012 | 17.5 | 12.0 | 6.0 | 15.0 | 0.8 | C33U1123-60**** |
| 0.015 | 17.5 | 13.5 | 7.5 | 15.0 | 0.8 | C33U1153-60**** |
| 0.018 | 17.5 | 13.5 | 7.5 | 15.0 | 0.8 | C33U1183-60**** |
| 0.022 | 17.5 | 14.5 | 8.5 | 15.0 | 0.8 | C33U1223-60**** |
| 0.027 | 17.5 | 16.0 | 10.0 | 15.0 | 0.8 | C33U1273-60**** |
| 0.033 | 17.5 | 16.0 | 10.0 | 15.0 | 0.8 | C33U1333-60**** |
| 0.039 | 17.5 | 19.0 | 11.0 | 15.0 | 0.8 | C33U1393-60**** |
| 0.047 | 17.5 | 19.0 | 11.0 | 15.0 | 0.8 | C33U1473-60**** |
| 0.015 | 26.5 | 15.0 | 6.0 | 22.5 | 0.8 | C33U1153-90**** |
| 0.018 | 26.5 | 15.0 | 6.0 | 22.5 | 0.8 | C33U1183-90**** |
| 0.022 | 26.5 | 15.0 | 6.0 | 22.5 | 0.8 | C33U1223-90**** |
| 0.027 | 26.5 | 16.0 | 7.0 | 22.5 | 0.8 | C33U1273-90**** |
| 0.033 | 26.5 | 16.0 | 7.0 | 22.5 | 0.8 | C33U1333-90**** |
| 0.039 | 26.5 | 17.0 | 8.5 | 22.5 | 0.8 | C33U1393-90**** |
| 0.047 | 26.5 | 18.5 | 10.0 | 22.5 | 0.8 | C33U1473-90**** |
| 0.056 | 26.5 | 18.5 | 10.0 | 22.5 | 0.8 | C33U1563-90**** |
| 0.068 | 26.5 | 22.0 | 12.0 | 22.5 | 0.8 | C33U1683-90**** |
| 0.082 | 26.5 | 22.0 | 12.0 | 22.5 | 0.8 | C33U1823-90**** |
| 0.10 | 26.5 | 22.0 | 12.0 | 22.5 | 0.8 | C33U1104-90**** |

备注 Note: 1. “-”表示容量偏差。 “-”=capacitance tolerance code. M=±20%, K=±10%, J=±5%, H=±3%。
2. “****”表示引线加工和包装代码(见表1)。“****”=lead form and packing code (refer to table 1).



■ 外形尺寸 Dimensions(mm)

| 700Vac | | | | | | |
|------------------------|------|------|------|------|-----|-----------------|
| C _N (μF) | W | H | T | P | d | Part number |
| 0.00056 | 13.0 | 9.0 | 4.0 | 10.0 | 0.6 | C33V1561-40**** |
| 0.00062 | 13.0 | 9.0 | 4.0 | 10.0 | 0.6 | C33V1621-40**** |
| 0.00068 | 13.0 | 9.0 | 4.0 | 10.0 | 0.6 | C33V1681-40**** |
| 0.00082 | 13.0 | 9.0 | 4.0 | 10.0 | 0.6 | C33V1821-40**** |
| 0.0010 | 13.0 | 9.0 | 4.0 | 10.0 | 0.6 | C33V1102-40**** |
| 0.0012 | 13.0 | 9.0 | 4.0 | 10.0 | 0.6 | C33V1122-40**** |
| 0.0015 | 13.0 | 11.0 | 5.0 | 10.0 | 0.6 | C33V1152-40**** |
| 0.0018 | 13.0 | 11.0 | 5.0 | 10.0 | 0.6 | C33V1182-40**** |
| 0.0022 | 13.0 | 11.0 | 5.0 | 10.0 | 0.6 | C33V1222-40**** |
| 0.0027 | 13.0 | 11.0 | 5.0 | 10.0 | 0.6 | C33V1272-40**** |
| 0.0033 | 13.0 | 12.0 | 6.0 | 10.0 | 0.6 | C33V1332-40**** |
| 0.0036 | 13.0 | 12.0 | 6.0 | 10.0 | 0.6 | C33V1362-40**** |
| 0.0039 | 13.0 | 12.0 | 6.0 | 10.0 | 0.6 | C33V1392-40**** |
| 0.0047 | 13.0 | 13.0 | 7.0 | 10.0 | 0.6 | C33V1472-40**** |
| 0.0056 | 13.0 | 13.0 | 7.0 | 10.0 | 0.6 | C33V1562-40**** |
| 0.0068 | 13.0 | 14.0 | 8.0 | 10.0 | 0.6 | C33V1682-40**** |
| 0.0082 | 13.0 | 14.0 | 8.0 | 10.0 | 0.6 | C33V1822-40**** |
| 0.00056 | 17.5 | 11.0 | 5.0 | 15.0 | 0.8 | C33V1561-60**** |
| 0.00062 | 17.5 | 11.0 | 5.0 | 15.0 | 0.8 | C33V1621-60**** |
| 0.00068 | 17.5 | 11.0 | 5.0 | 15.0 | 0.8 | C33V1681-60**** |
| 0.00082 | 17.5 | 11.0 | 5.0 | 15.0 | 0.8 | C33V1821-60**** |
| 0.0010 | 17.5 | 11.0 | 5.0 | 15.0 | 0.8 | C33V1102-60**** |
| 0.0012 | 17.5 | 11.0 | 5.0 | 15.0 | 0.8 | C33V1122-60**** |
| 0.0015 | 17.5 | 11.0 | 5.0 | 15.0 | 0.8 | C33V1152-60**** |
| 0.0018 | 17.5 | 11.0 | 5.0 | 15.0 | 0.8 | C33V1182-60**** |
| 0.0022 | 17.5 | 11.0 | 5.0 | 15.0 | 0.8 | C33V1222-60**** |
| 0.0027 | 17.5 | 11.0 | 5.0 | 15.0 | 0.8 | C33V1272-60**** |
| 0.0033 | 17.5 | 11.0 | 5.0 | 15.0 | 0.8 | C33V1332-60**** |
| 0.0039 | 17.5 | 11.0 | 5.0 | 15.0 | 0.8 | C33V1392-60**** |
| 0.0047 | 17.5 | 11.0 | 5.0 | 15.0 | 0.8 | C33V1472-60**** |
| 0.0056 | 17.5 | 12.0 | 6.0 | 15.0 | 0.8 | C33V1562-60**** |
| 0.0068 | 17.5 | 12.0 | 6.0 | 15.0 | 0.8 | C33V1682-60**** |
| 0.0082 | 17.5 | 13.5 | 7.5 | 15.0 | 0.8 | C33V1822-60**** |
| 0.010 | 17.5 | 13.5 | 7.5 | 15.0 | 0.8 | C33V1103-60**** |
| 0.012 | 17.5 | 14.5 | 8.5 | 15.0 | 0.8 | C33V1123-60**** |
| 0.015 | 17.5 | 14.5 | 8.5 | 15.0 | 0.8 | C33V1153-60**** |
| 0.018 | 17.5 | 16.0 | 10.0 | 15.0 | 0.8 | C33V1183-60**** |
| 0.022 | 17.5 | 19.0 | 11.0 | 15.0 | 0.8 | C33V1223-60**** |
| 0.0068 | 26.5 | 15.0 | 6.0 | 22.5 | 0.8 | C33V1682-90**** |
| 0.0082 | 26.5 | 15.0 | 6.0 | 22.5 | 0.8 | C33V1822-90**** |
| 0.010 | 26.5 | 15.0 | 6.0 | 22.5 | 0.8 | C33V1103-90**** |
| 0.012 | 26.5 | 15.0 | 6.0 | 22.5 | 0.8 | C33V1123-90**** |
| 0.015 | 26.5 | 15.0 | 6.0 | 22.5 | 0.8 | C33V1153-90**** |
| 0.018 | 26.5 | 16.0 | 7.0 | 22.5 | 0.8 | C33V1183-90**** |
| 0.022 | 26.5 | 17.0 | 8.5 | 22.5 | 0.8 | C33V1223-90**** |
| 0.027 | 26.5 | 17.0 | 8.5 | 22.5 | 0.8 | C33V1273-90**** |
| 0.033 | 26.5 | 18.5 | 10.0 | 22.5 | 0.8 | C33V1333-90**** |
| 0.039 | 26.5 | 18.5 | 10.0 | 22.5 | 0.8 | C33V1393-90**** |
| 0.047 | 26.5 | 22.0 | 12.0 | 22.5 | 0.8 | C33V1473-90**** |
| 0.056 | 26.5 | 22.0 | 12.0 | 22.5 | 0.8 | C33V1563-90**** |

| 900Vac | | | | | | |
|------------------------|------|------|------|------|-----|-----------------|
| C _N (μF) | W | H | T | P | d | Part number |
| 0.00056 | 17.5 | 11.0 | 5.0 | 15.0 | 0.8 | C33X1561-60**** |
| 0.00068 | 17.5 | 11.0 | 5.0 | 15.0 | 0.8 | C33X1681-60**** |
| 0.00082 | 17.5 | 11.0 | 5.0 | 15.0 | 0.8 | C33X1821-60**** |
| 0.0010 | 17.5 | 11.0 | 5.0 | 15.0 | 0.8 | C33X1102-60**** |
| 0.0012 | 17.5 | 11.0 | 5.0 | 15.0 | 0.8 | C33X1122-60**** |
| 0.0015 | 17.5 | 11.0 | 5.0 | 15.0 | 0.8 | C33X1152-60**** |
| 0.0018 | 17.5 | 11.0 | 5.0 | 15.0 | 0.8 | C33X1182-60**** |
| 0.0022 | 17.5 | 11.0 | 5.0 | 15.0 | 0.8 | C33X1222-60**** |
| 0.0027 | 17.5 | 11.0 | 5.0 | 15.0 | 0.8 | C33X1272-60**** |
| 0.0033 | 17.5 | 11.0 | 5.0 | 15.0 | 0.8 | C33X1332-60**** |
| 0.0039 | 17.5 | 12.0 | 6.0 | 15.0 | 0.8 | C33X1392-60**** |
| 0.0047 | 17.5 | 12.0 | 6.0 | 15.0 | 0.8 | C33X1472-60**** |
| 0.0056 | 17.5 | 12.0 | 6.0 | 15.0 | 0.8 | C33X1562-60**** |
| 0.0068 | 17.5 | 13.5 | 7.5 | 15.0 | 0.8 | C33X1682-60**** |
| 0.0082 | 17.5 | 13.5 | 7.5 | 15.0 | 0.8 | C33X1822-60**** |
| 0.010 | 17.5 | 14.5 | 8.5 | 15.0 | 0.8 | C33X1103-60**** |
| 0.012 | 17.5 | 16.0 | 10.0 | 15.0 | 0.8 | C33X1123-60**** |
| 0.015 | 17.5 | 16.0 | 10.0 | 15.0 | 0.8 | C33X1153-60**** |
| 0.018 | 17.5 | 19.0 | 11.0 | 15.0 | 0.8 | C33X1183-60**** |
| 0.0022 | 26.5 | 15.0 | 6.0 | 22.5 | 0.8 | C33X1222-90**** |
| 0.0027 | 26.5 | 15.0 | 6.0 | 22.5 | 0.8 | C33X1272-90**** |
| 0.0033 | 26.5 | 15.0 | 6.0 | 22.5 | 0.8 | C33X1332-90**** |
| 0.0039 | 26.5 | 15.0 | 6.0 | 22.5 | 0.8 | C33X1392-90**** |
| 0.0047 | 26.5 | 15.0 | 6.0 | 22.5 | 0.8 | C33X1472-90**** |
| 0.0056 | 26.5 | 15.0 | 6.0 | 22.5 | 0.8 | C33X1562-90**** |
| 0.0068 | 26.5 | 15.0 | 6.0 | 22.5 | 0.8 | C33X1682-90**** |
| 0.0082 | 26.5 | 15.0 | 6.0 | 22.5 | 0.8 | C33X1822-90**** |
| 0.010 | 26.5 | 16.0 | 7.0 | 22.5 | 0.8 | C33X1103-90**** |
| 0.012 | 26.5 | 16.0 | 7.0 | 22.5 | 0.8 | C33X1123-90**** |
| 0.015 | 26.5 | 17.0 | 8.5 | 22.5 | 0.8 | C33X1153-90**** |
| 0.018 | 26.5 | 18.5 | 10.0 | 22.5 | 0.8 | C33X1183-90**** |
| 0.022 | 26.5 | 18.5 | 10.0 | 22.5 | 0.8 | C33X1223-90**** |
| 0.027 | 26.5 | 22.0 | 12.0 | 22.5 | 0.8 | C33X1273-90**** |
| 0.033 | 26.5 | 22.0 | 12.0 | 22.5 | 0.8 | C33X1333-90**** |

备注 Note: 1. “-” 表示容量偏差。 “.” =capacitance tolerance code. M=±20%, K=±10%, J=±5%, H=±3%。
2. “****” 表示引线加工和包装代码(见表 1)。“****” =lead form and packing code (refer to table 1).